

8. MAIN PRINCIPLES OF USING THE TU100 or TU 110 DEVICE

- When lowering the truncated branches, stand at a safe distance standing directly under the branch being lowered or at the point where a sudden, uncontrolled movement of excavated material would jeopardize the life or health of the worker is forbidden.
- Make sure that the length of the rope you are using allows you to lower the excavated material onto the ground.
- Before starting work, refer to the limitations resulting from the strength of the rope and the TU100 or TU110 device.
- Minimize the rapid jerking when lowering the excavated material.
- To minimize damage to the device, try to lower the excavated material at the shortest distance.
- Before starting work, check that all connectors, through which the device is attached, are completely closed.
- Use safety glasses when working with the TU100 or TU110 device.

9. GENERAL PRINCIPLES OF USING THE EQUIPMENT

- The equipment should be used only by people trained in its use.
- Personal protective equipment may not be used by people whose health condition may affect the general safety during daily use.
- It is prohibited to perform any modifications to the equipment without the manufacturer's written consent.
- Any repair can be performed only by the equipment manufacturer or its authorized representative.
- It is forbidden to use the equipment for purposes other than its intended use.
- Before use, make sure that all components of the equipment work together properly. Periodically check that all of the device's components are in place.
- During inspection, check all components of the equipment with particular attention to any damage, excessive wear, corrosion, abrasion, cuts, and malfunction. In each device pay special attention to:
 - cracks in welds;
 - missing components.
- During periodic inspections, check the legibility of all labelling of the protective equipment (mark of the given device).
- If there is any doubt as to the condition of the equipment or its operation, immediately withdraw it from use. The equipment may be readmitted for use after a thorough inspection by the manufacturer of the equipment and the manufacturer's written consent for further use of the equipment.
- When using the equipment pay special attention to dangerous phenomena affecting the operation of the equipment and user's safety, in particular:
 - looping and moving of the rope over sharp edges;
 - oscillatory falls;
 - any damage, such as cuts, abrasion, corrosion;
 - the impact of extreme temperatures;
 - the negative impact of weather conditions;
 - the impact of chemicals.
- The equipment must be transported in containers that protect it from damage or getting wet, e.g. in bags made of impregnated fabric or in steel or plastic suitcases or boxes.
- The equipment must be cleaned and disinfected, avoiding damage to the material (raw material) from which the device is made. For textile materials (tape, rope), use cleaning agents dedicated to delicate fabrics. It can be cleaned by hand or washing machine. Rinse thoroughly. Plastic parts must be cleaned only with water. The equipment that gets wet when cleaning or during the use must be thoroughly dried in natural conditions, away from the sources of heat. Metal parts and mechanisms (springs, hinges, latches, etc.) can be lightly lubricated periodically in order to improve their performance.
- The equipment must be stored loosely wrapped in a well ventilated dry place, protected from light, UV radiation, dust, sharp objects, extreme temperatures and corrosive substances.

IT IS THE RESPONSIBILITY OF THE USER ORGANISATION TO PROVIDE THE IDENTITY CARD AND TO FILL IN THE DETAILS REQUIRED.
 THE IDENTITY CARD SHOULD BE FILLED IN BEFORE THE FIRST USE BY A COMPETENT PERSON, RESPONSIBLE IN THE USER ORGANIZATION FOR PROTECTIVE EQUIPMENT.
 ANY INFORMATION ABOUT THE EQUIPMENT LIKE PERIODIC INSPECTIONS, REPAIRS, REASONS OF EQUIPMENT'S WITHDRAWN FROM USE SHALL BE NOTED INTO THE IDENTITY CARD BY A COMPETENT PERSON.
 THE IDENTITY CARD SHOULD BE STORED DURING A WHOLE PERIOD OF EQUIPMENT UTILIZATION.
 DO NOT USE THE EQUIPMENT WITHOUT THE IDENTITY CARD.
 ALL RECORDS IN THE IDENTITY CARD CAN BE FILLED IN ONLY BY A COMPETENT PERSON.

IDENTITY CARD

MODEL AND TYPE OF EQUIPMENT			
REF. NUMBER			
SERIAL NUMBER		DATE OF MANUF.	
USER NAME			
DATE OF PURCHASE		DATE OF PUTTING INTO OPERATION	
PERIODIC EXAMINATION AND REPAIR HISTORY			
DATE	REASON FOR ENTRY PERIODIC EXAMINATION OR REPAIR	DEFECTS NOTED, REPAIRS CARRIED OUT AND OTHER REVELANT INFORMATIONS	NAME AND SIGNATURE OF COMPETENT PERSON
1			
2			
3			
4			



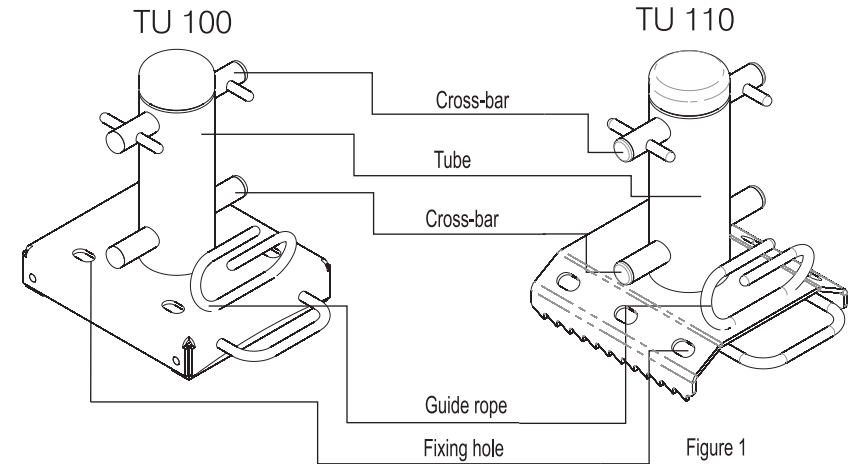
Instruction manual

Before use, carefully read the following instruction manual

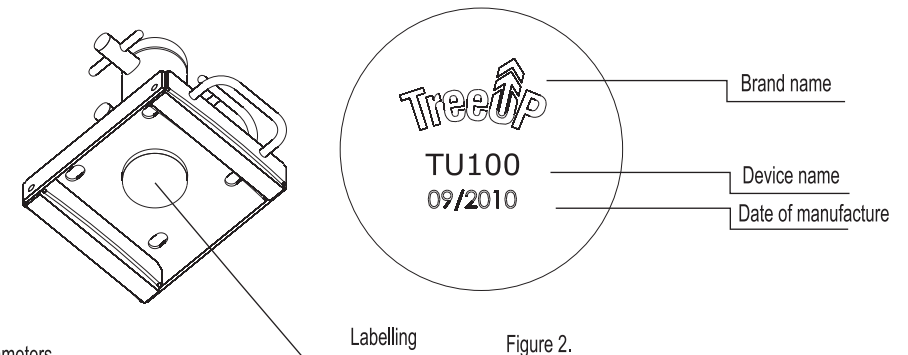
Ref.: TU 100
TU 110

PROTEKT® Lowering Device TU100 TU110

1. Device construction



2. Labelling



3. Device parameters

TU100

- Working rope diameter: \varnothing 10-14 mm,
- Weight: 7,3 kg
- Dimensions: 370x385x300 mm
- Maximum working load: 15 kN

Tu110

- Working rope diameter: \varnothing 10-14 mm,
- Weight: 6,45 kg
- Dimensions: 335x300x250 mm
- Maximum working load: 15 kN

4. Usage

a) Attaching the device to the tree

Device should be mounted to the trunk with the single or double webbing AX500

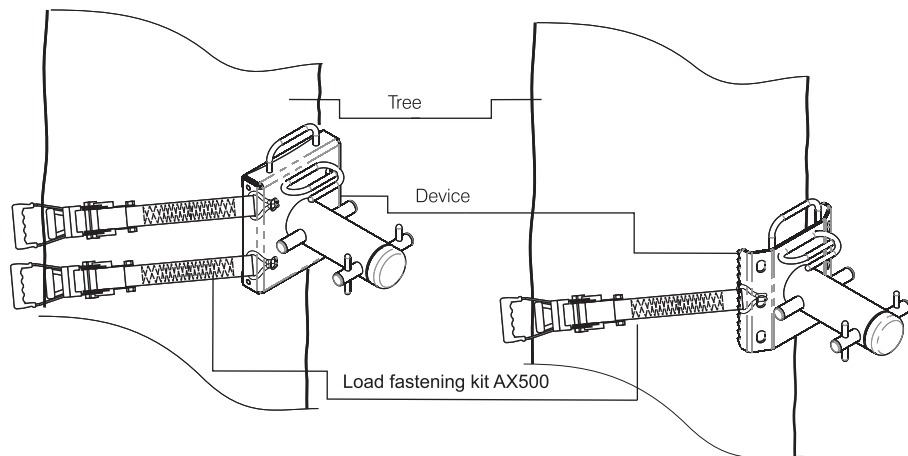


Figure 3.

Figure 4.

The webbing should be stretched with the maximum force.

b) Montage working rope

To assist with the branches transportation by using TU100 or TU110 device one should install working rope on the little yoke as it is shown on the bottom figures.

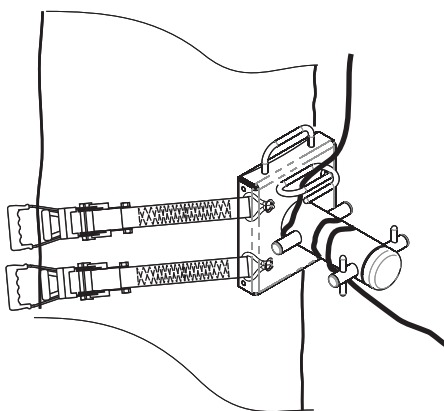


Figure 5.

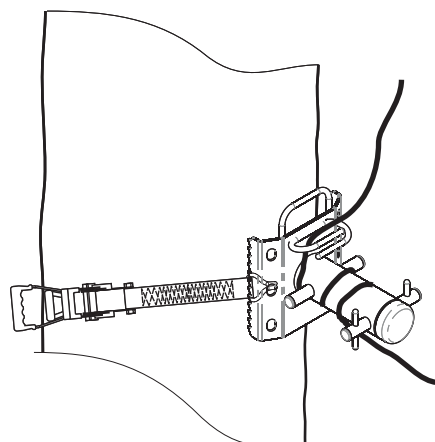


Figure 6.

5. Using - example



Figure 7.



Figure 8.



Figure 9.